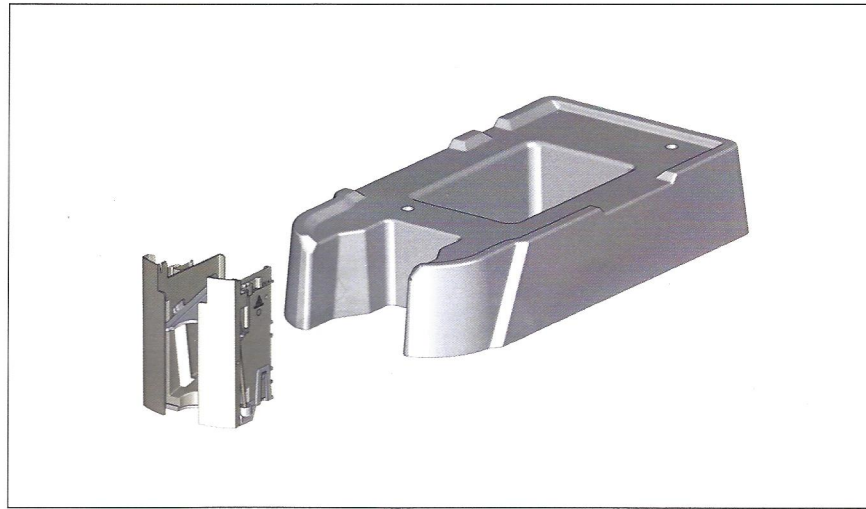




## 125 Card Output Hopper Upgrade Installation Instructions

# ENTRUST



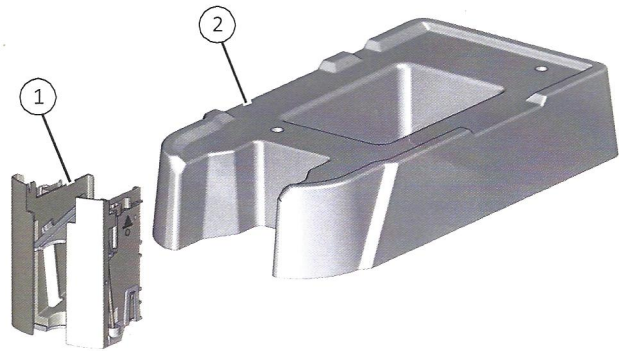
These instructions apply to the Entrust Sigma printers and the following upgrade kits:

Upgrade Kit Number	EM1/EM2	DS1/DS2	DS3
529454-001 125 Card Output Hopper	No	No	Yes
529454-003 125 Card Output Hopper	No	Yes	No
529454-004 125 Card Output Hopper	Yes	No	No

## Upgrade Kit Contents

The following parts are included in the upgrade kit:

Item	Qty.	Description
1	1	125 Card Output Hopper
2	1	Printer Pedestal

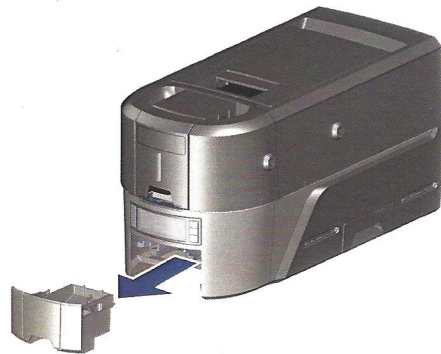


## Installation Procedure

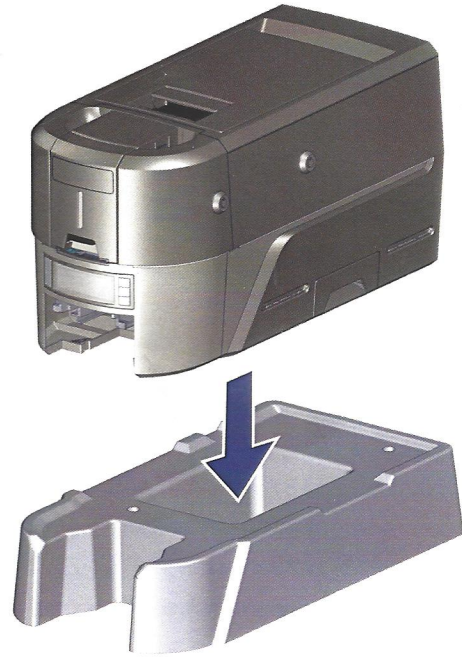
This installation of the upgrade kit places an printer pedestal and 125 card output hopper on the printer.

### Install the Hardware

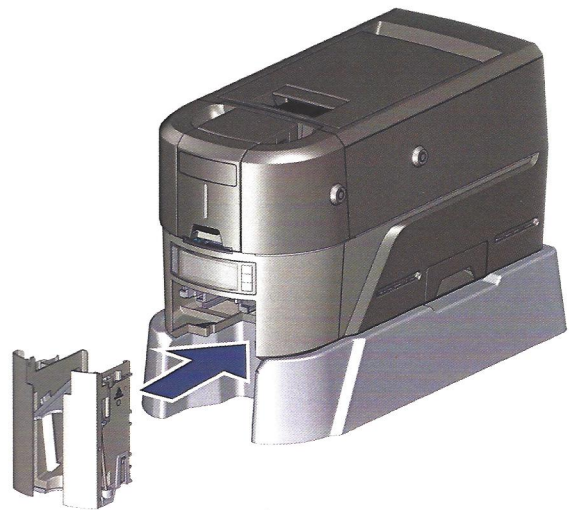
1. Disconnect the power, and USB or Ethernet cables from the printer.
2. Pull out and remove the standard output hopper from the printer.

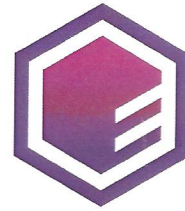


3. Place the printer on the printer pedestal. Make sure that the printer is lined up correctly on the pedestal.



4. Insert the 125 card output hopper assembly into the printer and printer pedestal until it clicks into place.





# ENTRUST

1187 Park Place  
Minneapolis, MN 55379  
952-933-1223 • Fax: 952-933-7971  
[www.entrust.com](http://www.entrust.com)

Entrust, Sigma and the hexagon design are trademarks, registered trademarks and/or service marks of the Entrust Corporation in the United States and other countries.

All other product names are the property of their respective owners.

© 2020 Entrust Corporation. All rights reserved.